



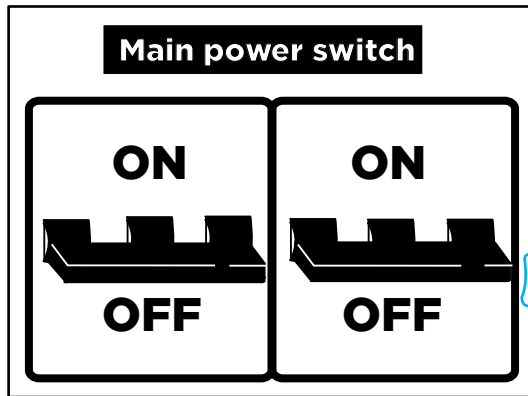
WARNING: Electrical wirings should be done by a professional electrician. Incorrect installation is dangerous or illegal. Please call a professional electrician if you are unfamiliar or uncomfortable with electrical work.

Important: it is recommended to use iotty Light Switch for residential and dry indoor locations only.

Electrical Installation Requirements

- * A Neutral wire (requires all three AC electrical connections at the wall switch)
- * A single pole light switch (for lights controlled by 2 switches go to section X)
- * The light switch box must be at least 2 inches deep

1

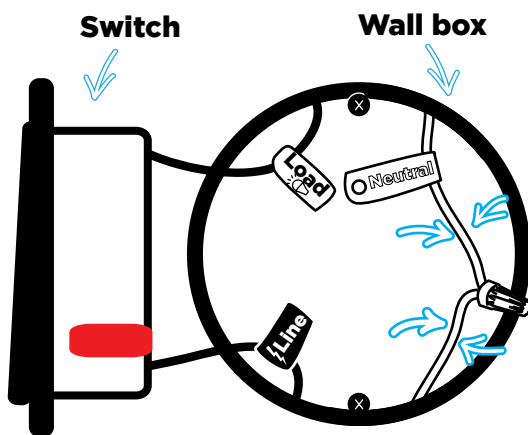


Turn off the power at the circuit breaker for the switch you are replacing.

You may need to shut OFF more than one circuit breaker/switch to make sure the switch you're working on is powered OFF.

IMPORTANT: USE A NON-CONTACT VOLTAGE DETECTOR OR FLIP YOUR LIGHT SWITCH A FEW TIMES TO MAKE SURE THAT THE POWER IS OFF.

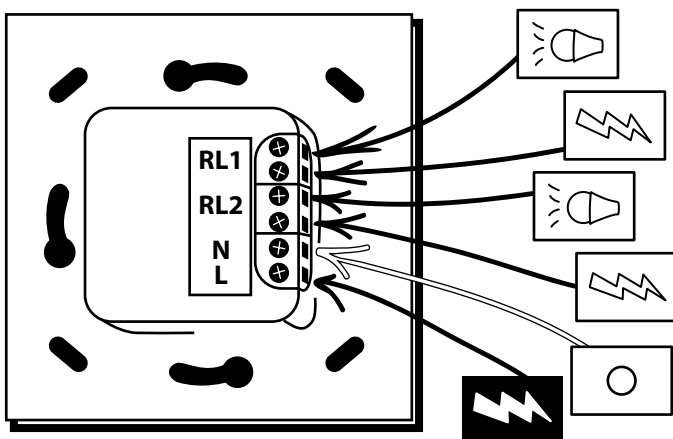
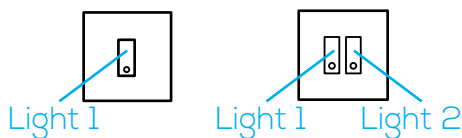
2



Unscrew and disconnect the wires from the old switch using a screw driver.

Remember that you **must** have a Neutral wire to install iotty Light Switch.

3



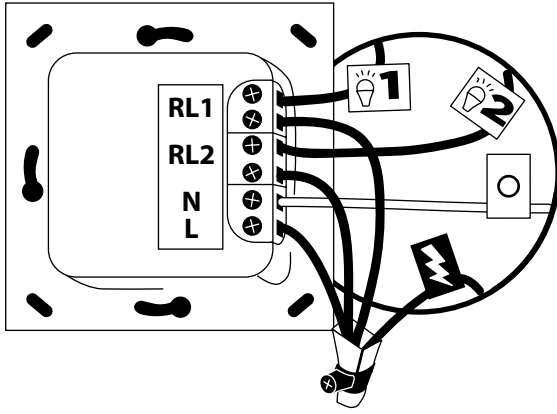
Identify the wires on your iotty Light Switch Wifi.

Switch (Line/Load) wires - On this light switch, there are two screw terminals for every RL (one for the Line and one for the Load) and one for the Hot Wire, labeled with L. Every RL needs both Line and Load wires.

Neutral wire - The **iotty Light Switch** requires this wire, but isn't always present in your electrical wiring at home. If present, the neutral wire is normally found within the wall box with a wire nut on top of it. If it's not present you need to rewire the switch box.

Ground wire - It's normally green or copper in color. If present place it into the wall box.

4



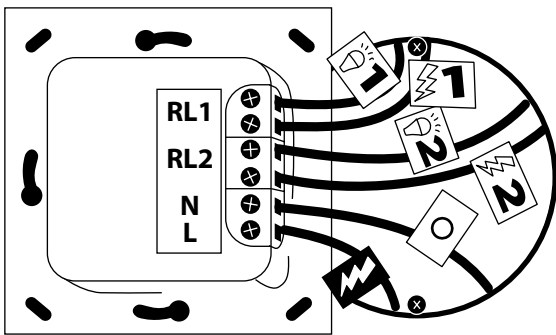
Before installing the iotty Light Switch be sure that the faceplate is not attached (to remove do as shown in step 6).

Insert the Neutral wire into the screw terminal labeled with N.

Insert the Line into the screw terminal labeled with L.

Insert the Line and the Load into the screw terminals of the RLs. **If you have the faceplate with only one gang connect only RL1.**

If you have a ground wire, place it into the wall box.



In case of loads operating at different voltages than iotty.

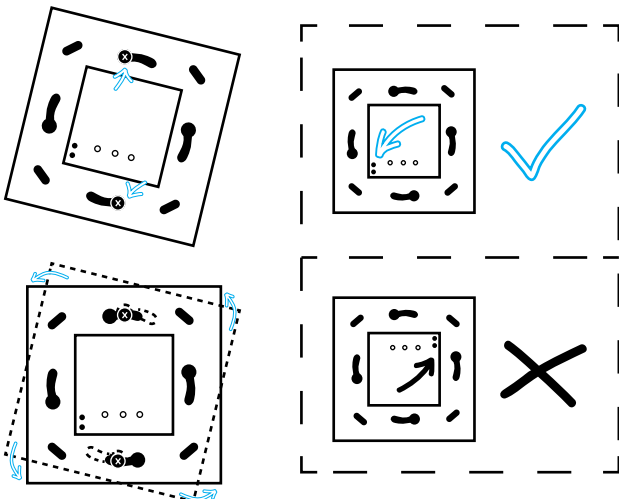
Insert the Neutral wire in the terminal screw labeled with N.

Insert the Hot Wire in the terminal screw labeled with L.

Every RL needs two wires, in one terminal screw insert the External Power Supply, in the other terminal insert the Load. **If you have the faceplate with only one gang connect only RL1.**

If you have a ground wire, place it into the wall box.

5

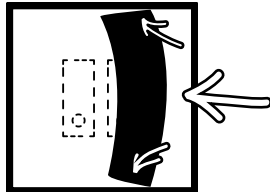


Push all the wires back into the wall box and try to allow as much space for the switch as possible.

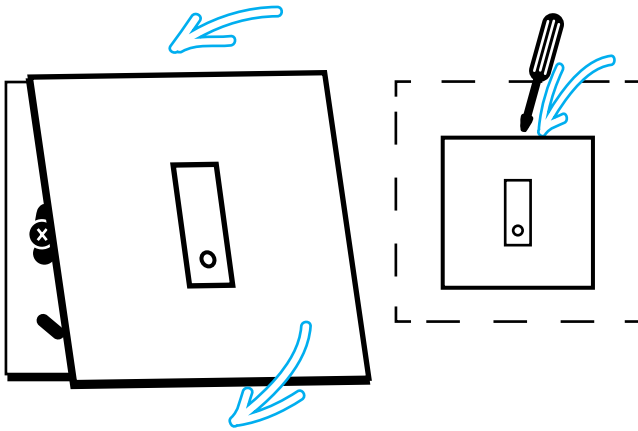
Insert the iotty Light Switch in the wall box screws.

Do it in order to place the two black buttons **down**.

6



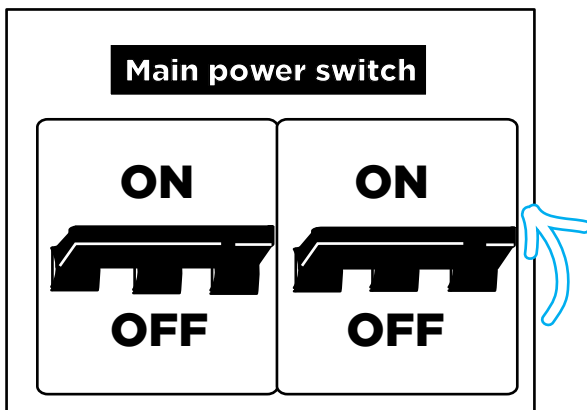
If you want to hide a disabled gang apply on the back of the faceplate the cardstock provided (available only for multiple gangs). You can choose between black or white based on your faceplate color.



Attach your **iotty Light Switch** faceplate starting from the upper or the lower side.

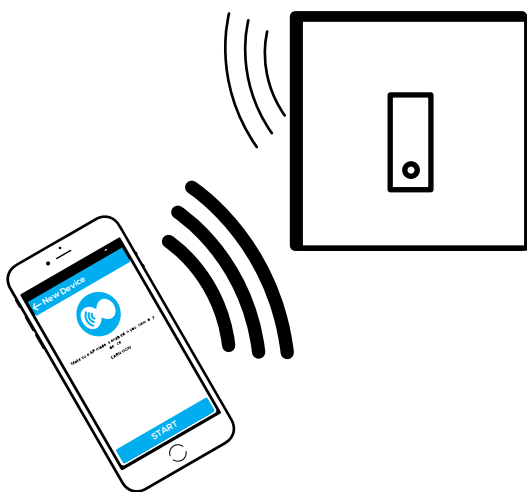
To remove use a screwdriver to lift the faceplate.

7



Turn on the power at the circuit breaker.

8



Download the **iotty** app from Google Play or the Apple Store and sign in.

Connect to your **iotty Light Switch** wifi [IOTTY_serial-number].

Go to the app and add a new device.

iotty.com/support

